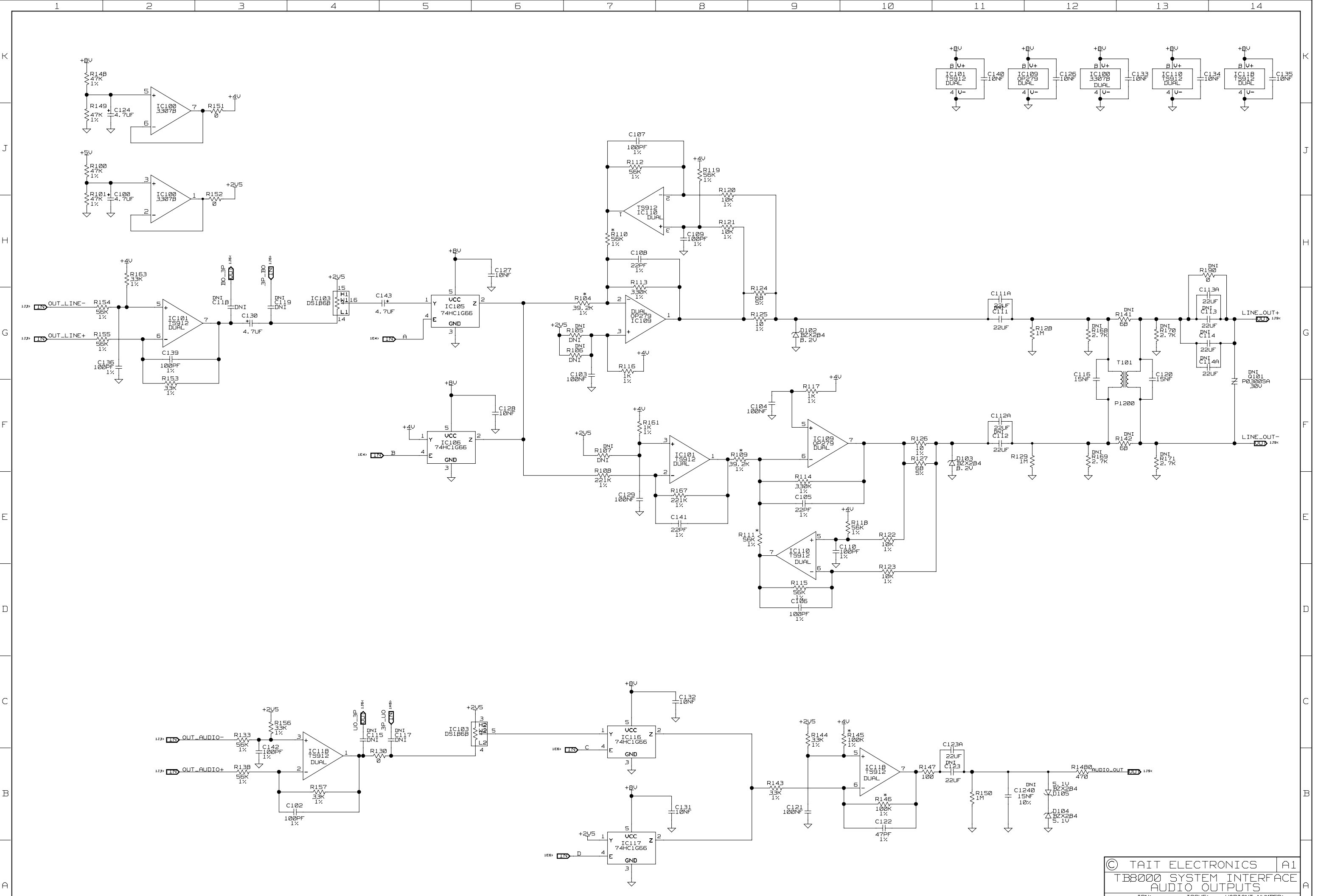


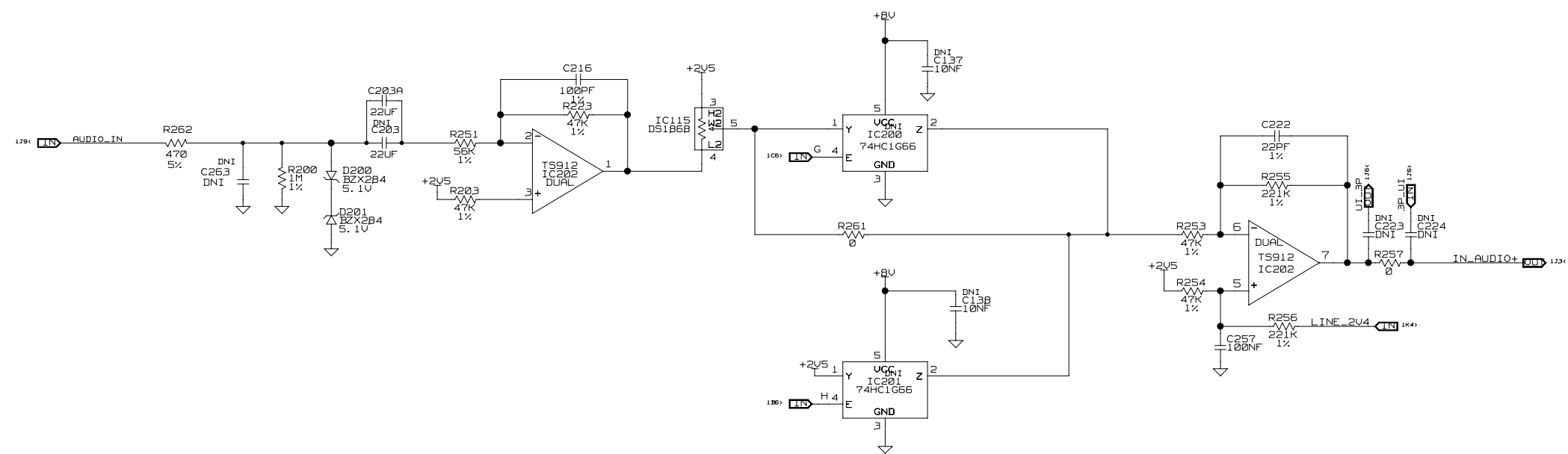
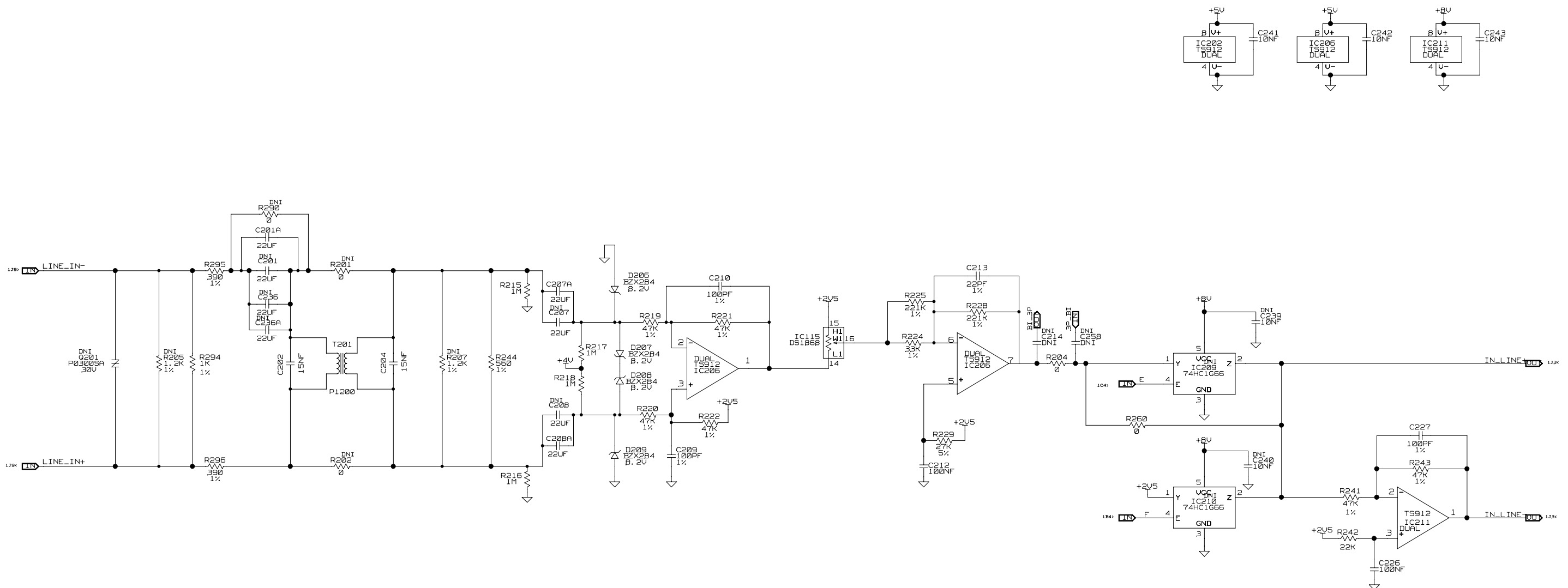
|         |  |       |      |      |      |          |
|---------|--|-------|------|------|------|----------|
| 08A     | ECO 101200497 CHANGE PLS01 CONNECTOR           | TB    | ML   | CK   | ML   | 05/01/05 |
| 07A     | DCO 02026-004 CORRECTION TO CIRCUITRY          | CJK   | ML   | CK   | ML   | 200CT04  |
| 06A     | DCO 02026-003 ADDITIONAL DIGITAL OUTPUTS ADDED | CJK   | ML   | CK   | ML   | 29SEP04  |
| 05A     | ECO 101200072                                  | LA    | LA   | CK   | LA   | 15/5/03  |
| 04A     | DCO 02026-002                                  | LA    | LA   | CK   | LA   | 17/2/03  |
| 03A     | CLONED FROM 220-02026-02                       | LA    |      |      |      | 9/2/02   |
| 02A     | CLONED FROM 220-02026-01                       | LA    |      |      |      | 2/8/02   |
| 01A     | CLONED FROM 226-00227-05                       | PG    |      |      |      | 4/6/02   |
| REV/ISS | AMENDMENTS                                     | DRAWN | CHKD | D.O. | APVD | DATE     |

|  |                      |                         |
|--|----------------------|-------------------------|
| © TAIT ELECTRONICS                         |                      | A1                      |
| TB8000 SYSTEM INTERFACE CONNECTORS & MISC. |                      |                         |
| IPN: 220-02026-08                          | ISSUE: A             | VARIANT NUMBER: XBAS0C0 |
| FILE DATE: Tue Jun 28 13:36:13 2005        |                      |                         |
| ENGINEER: ML                               | FILE NAME: 220_02026 | SHEET NUMBER: 1 OF 6    |



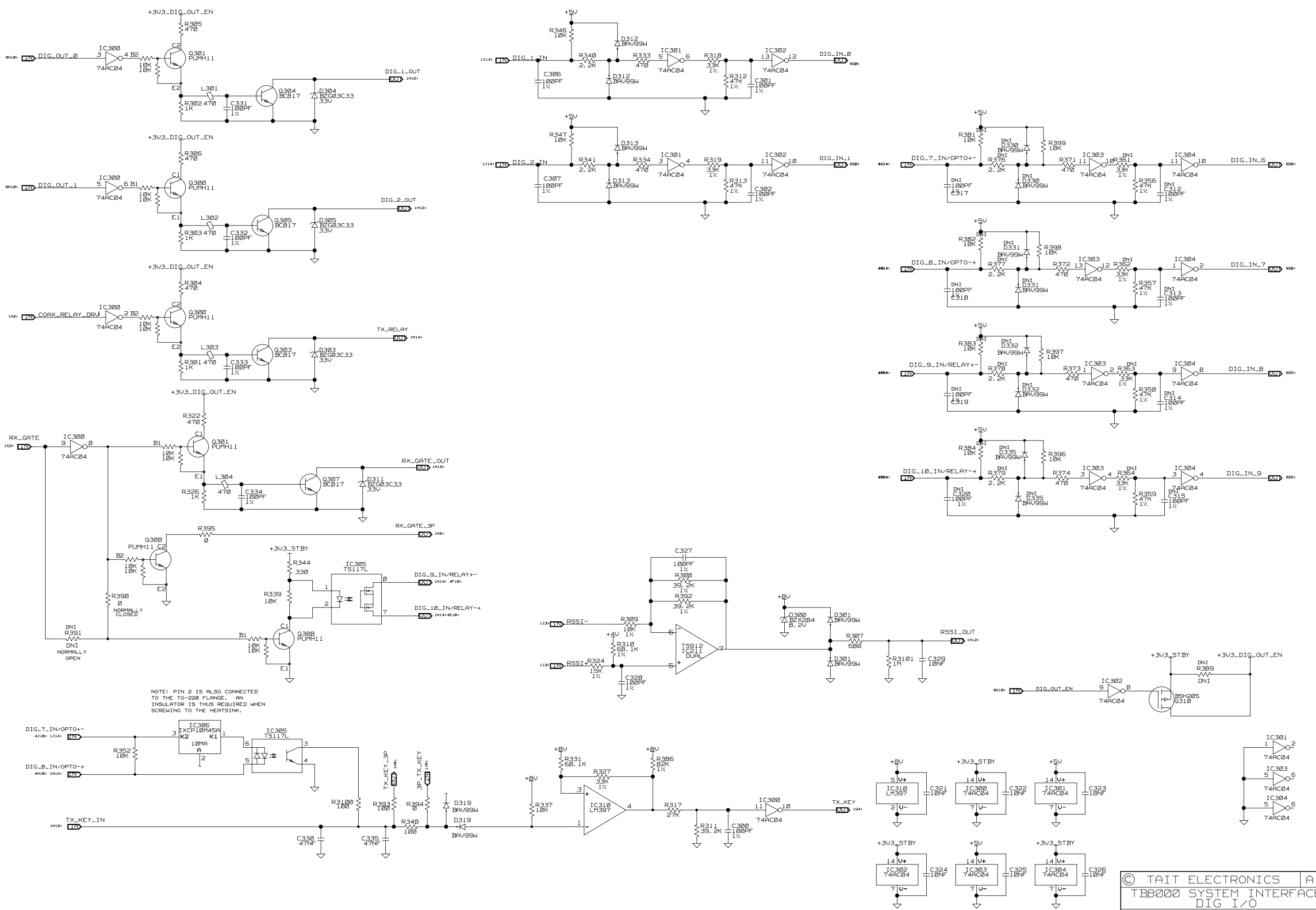
© TAIT ELECTRONICS | A1  
 TB8000 SYSTEM INTERFACE  
 AUDIO OUTPUTS  
 IPN: 220-02025-08 | ISSUE: A | VARIANT NUMBER: XBAS0C0  
 FILE DATE: Tue Jun 28 13:19:07 2005  
 ENGINEER: ML | FILE NAME: 220\_02026 | SHEET NUMBER: 2 OF 6

| REV./ISS | AMENDMENTS | DRAWN | CHKD | D. O. | APVD | DATE |
|----------|------------|-------|------|-------|------|------|
| 1        |            |       |      |       |      |      |
| 2        |            |       |      |       |      |      |
| 3        |            |       |      |       |      |      |
| 4        |            |       |      |       |      |      |
| 5        |            |       |      |       |      |      |
| 6        |            |       |      |       |      |      |
| 7        |            |       |      |       |      |      |
| 8        |            |       |      |       |      |      |
| 9        |            |       |      |       |      |      |
| 10       |            |       |      |       |      |      |
| 11       |            |       |      |       |      |      |
| 12       |            |       |      |       |      |      |
| 13       |            |       |      |       |      |      |
| 14       |            |       |      |       |      |      |



|                                     |            |                 |
|-------------------------------------|------------|-----------------|
| © TAIT ELECTRONICS                  |            | A1              |
| TB8000 SYSTEM INTERFACE             |            |                 |
| AUDIO INPUTS                        |            |                 |
| IPN:                                | ISSUE:     | VARIANT NUMBER: |
| 220-02025-08                        | A          | XBAS0C0         |
| FILE DATE: Tue Jun 28 13:19:22 2005 |            |                 |
| ENGINEER:                           | FILE NAME: | SHEET NUMBER:   |
| ML                                  | 220_02025  | 3 OF 6          |

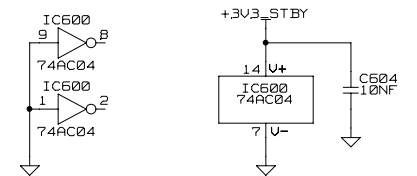
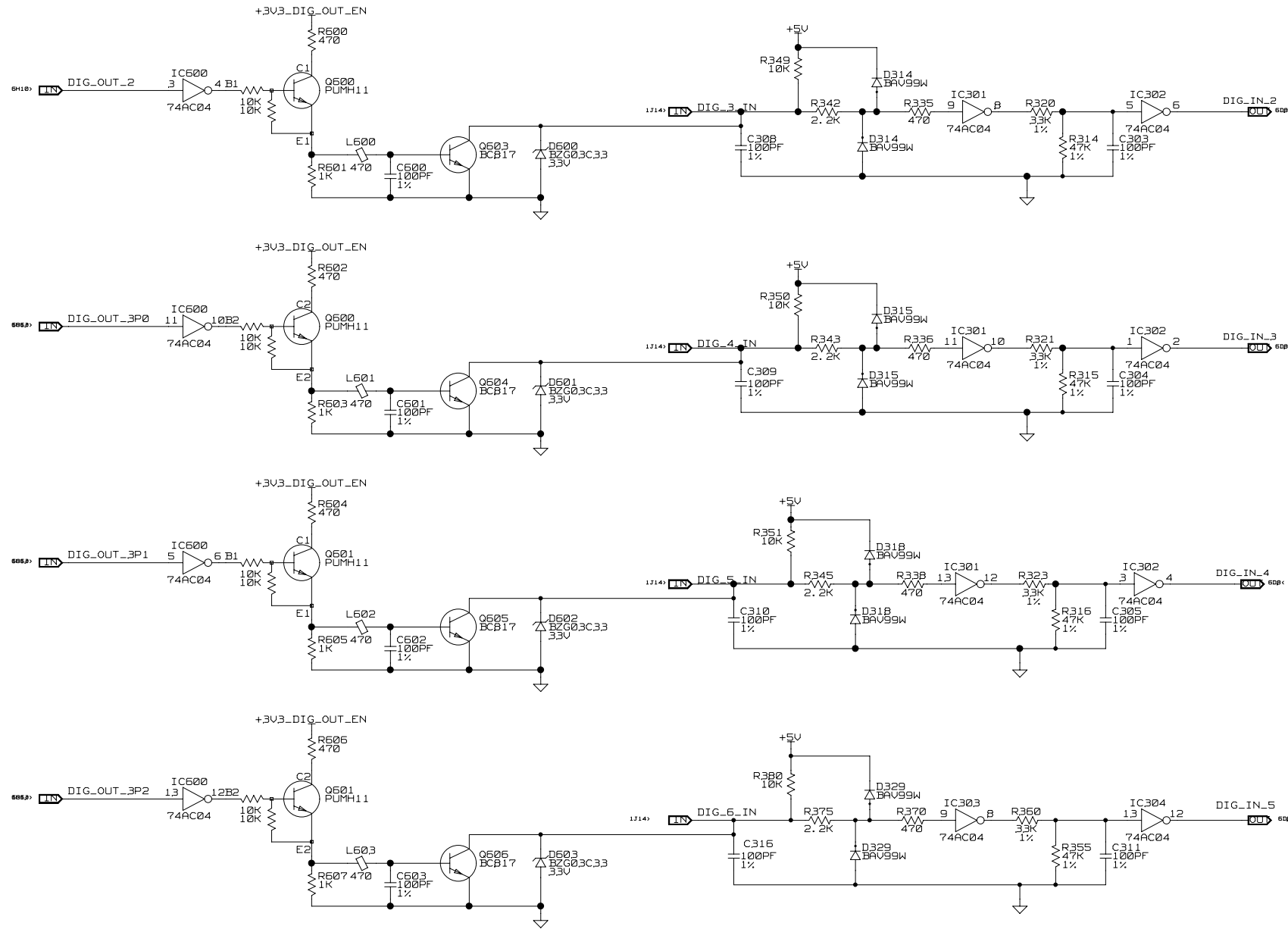
| REV/ISS | AMENDMENTS | DRAWN | CHKD | D. O. | APVD | DATE |
|---------|------------|-------|------|-------|------|------|
| 1       |            |       |      |       |      |      |
| 2       |            |       |      |       |      |      |
| 3       |            |       |      |       |      |      |
| 4       |            |       |      |       |      |      |
| 5       |            |       |      |       |      |      |



NOTE: PIN 2 IS ALSO CONNECTED TO THE TO-220 FLANGE. AN INSULATOR IS THUS REQUIRED WHEN SCREWING TO THE HEATSINK.

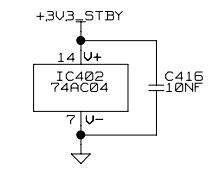
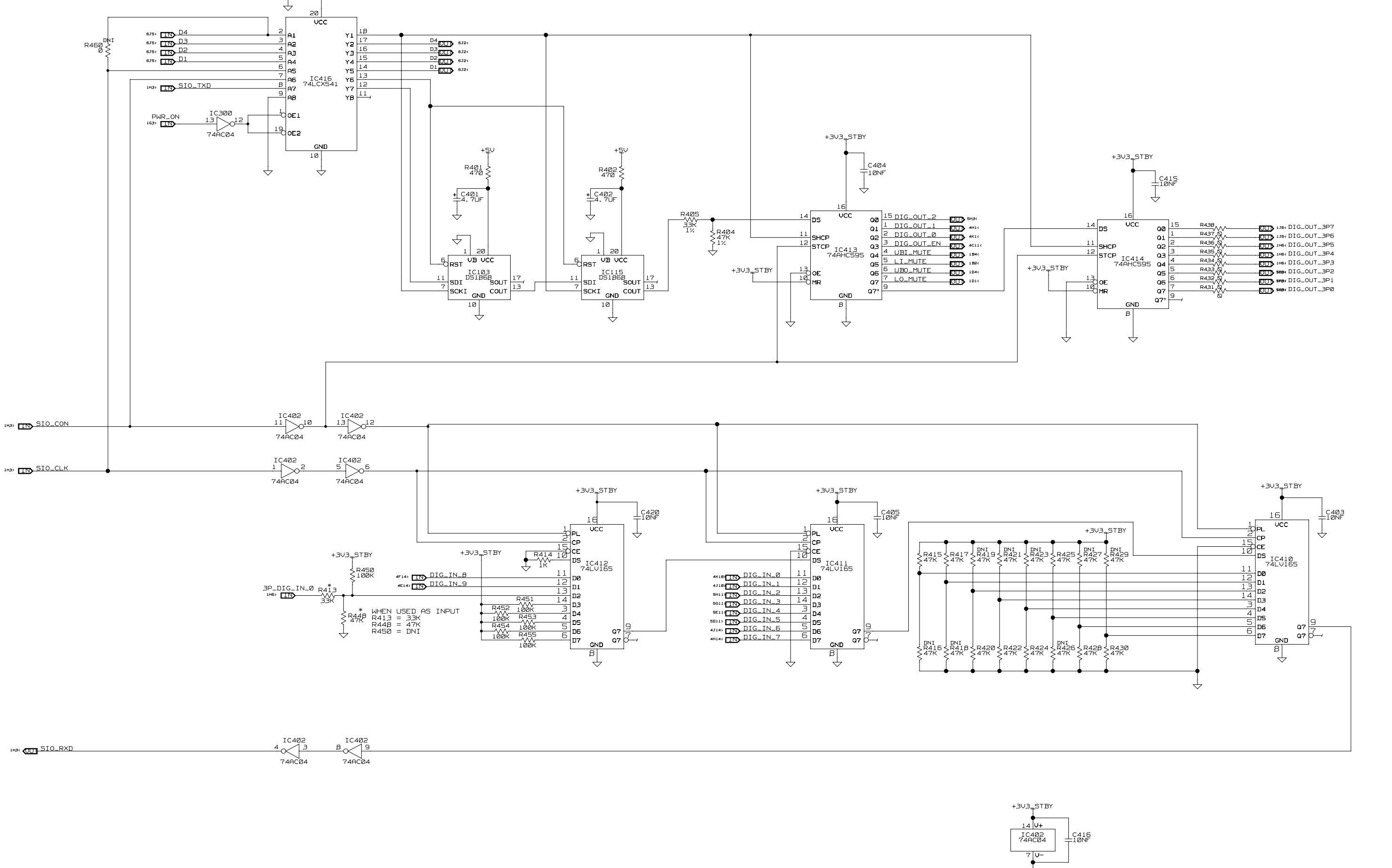
|                                     |                      |                        |
|-------------------------------------|----------------------|------------------------|
| © TAIT ELECTRONICS                  |                      | A1                     |
| TB800 SYSTEM INTERFACE DIG I/O      |                      |                        |
| IPN: 220-02025-08                   | ISSUE: A             | VARIANT NUMBER: XBAS00 |
| FILE DATE: Tue Jun 28 13:19:47 2005 |                      |                        |
| ENGINEER: ML                        | FILE NAME: 220_02025 | SHEET NUMBER: 4 OF 6   |

| REV/ISS | AMENDMENTS | DRAWN | CHKD | D. O. | APVD | DATE |
|---------|------------|-------|------|-------|------|------|
| 1       |            |       |      |       |      |      |
| 2       |            |       |      |       |      |      |
| 3       |            |       |      |       |      |      |
| 4       |            |       |      |       |      |      |
| 5       |            |       |      |       |      |      |
| 6       |            |       |      |       |      |      |
| 7       |            |       |      |       |      |      |
| 8       |            |       |      |       |      |      |
| 9       |            |       |      |       |      |      |
| 10      |            |       |      |       |      |      |
| 11      |            |       |      |       |      |      |
| 12      |            |       |      |       |      |      |
| 13      |            |       |      |       |      |      |
| 14      |            |       |      |       |      |      |



|                                     |                         |                            |
|-------------------------------------|-------------------------|----------------------------|
| © TAIT ELECTRONICS                  |                         | A1                         |
| TB8000 SYSTEM INTERFACE             |                         |                            |
| DIG I/O                             |                         |                            |
| IPN:<br>220-02025-08                | ISSUE:<br>A             | VARIANT NUMBER:<br>XBAS0C0 |
| FILE DATE: Tue Jun 28 13:20:00 2005 |                         |                            |
| ENGINEER:<br>ML                     | FILE NAME:<br>220_02025 | SHEET NUMBER:<br>5 OF 6    |

| REV/ISS | AMENDMENTS | DRAWN | CHKD | D. O. | APVD | DATE |
|---------|------------|-------|------|-------|------|------|
| 1       |            |       |      |       |      |      |
| 2       |            |       |      |       |      |      |
| 3       |            |       |      |       |      |      |
| 4       |            |       |      |       |      |      |
| 5       |            |       |      |       |      |      |



|                                     |                      |                         |
|-------------------------------------|----------------------|-------------------------|
| © TAIT ELECTRONICS                  |                      | A1                      |
| TB8000 SYSTEM INTERFACE DIGITAL     |                      |                         |
| IPN: 220-02025-08                   | ISSUE: A             | VARIANT NUMBER: XBAS0C0 |
| FILE DATE: Tue Jun 28 13:20:20 2005 |                      |                         |
| ENGINEER: ML                        | FILE NAME: 220_02025 | SHEET NUMBER: 6 OF 6    |